

Mason County PUD No 1 Temporary Service Requirements

Definition: Commonly referred to as “construction power”. Secondary and metering facilities installed in a non-permanent fashion to provide power for construction. It may be reasonably expected to be relocated or removed within 12 months of installation.

Basic Requirements

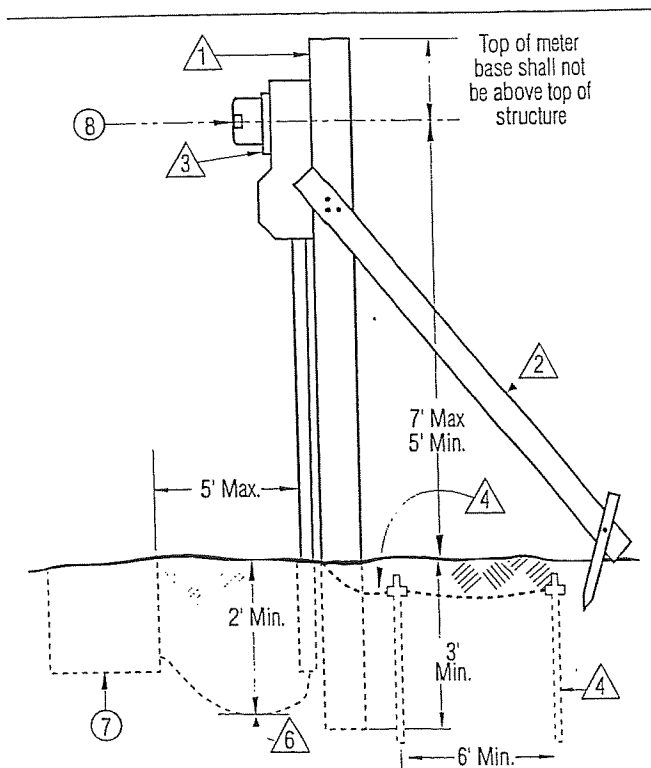
- Call the Utility Engineering Department to request an application and discuss fees and concerns.
- Determine if the temporary service will be overhead or underground.
- Once the customer’s service is installed, the state Labor & Industries, requires that the installation pass an electrical inspection before the utility can complete the connection. Electrical inspections on tribal lands are performed by reservation personnel.
- Two days prior to any trenching or excavation work, the customer is required to call for underground locates. PUD NO. 1 belongs to ONE CALL (1-800-424-5555).

Underground Temporary Service

- Contact the Utility’s Engineering office to request a temporary service, and pay fees.
- Obtain an electrical permit from Labor & Industries.
- Obtain underground locates.
- The customer trenches to the nearest side of the transformer and leaves the wires exposed.
- Install the meter pedestal and meter socket within 5' from transformer or secondary pedestal. (see illustration pg2) If a distance of greater than 5' is necessary, contact the PUD Engineering Department.
- Provide the appropriately sized conductor from the meter socket to the utilities connection point, leaving extra conductor for PUD crews to connect into cabinet.
- Obtain an electrical inspection from L & I.
- Cover wire leading to the connection point, except where the PUD will make connections
- Call the PUD to announce that the installation has passed inspection and is ready for temporary service.

Overhead Temporary Service

- Contact the Utility’s Engineering office to request a temporary service, and pay fees.
- Obtain an electrical permit from Labor & Industries.
- Install a temporary meter post on the property within 70 feet of the power pole that will serve it. (see illustration pg3)
- The pole must be tall enough to provide adequate clearance above roadways and driveways. The National Electric Safety Code(NESC) requires 16' above roadways and 12' above the residential property.
- Install a meter socket per L&I requirements and get it inspected.
- After these items are completed, call the PUD to announce that it has passed inspection and is ready for connection.



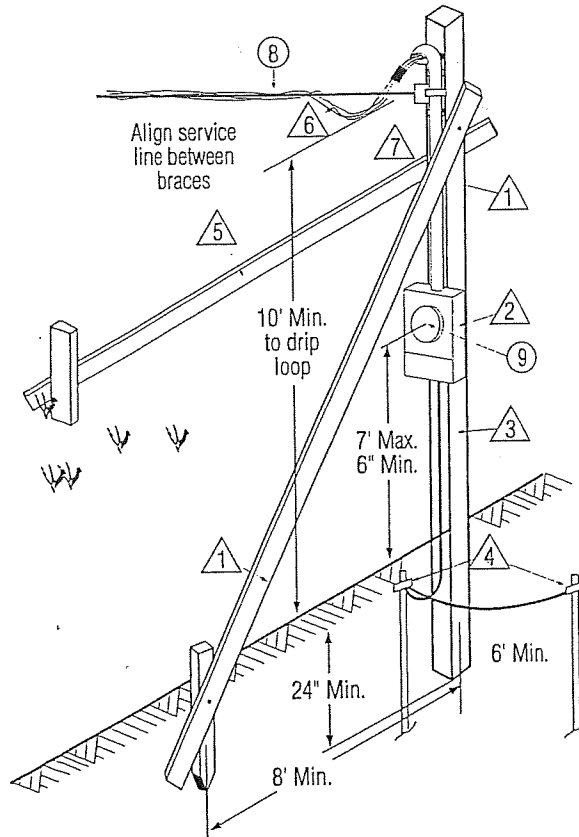
Temporary underground service installation.

△ Items owned and installed by the customer

1. 4" x 4" x 10' continuous single structure
2. 2" x 4" bracing (post should be braced from two directions)
3. Meter socket and distribution panel (100-200 amp, 120/240 volt)
4. Ground wire (per NEC)
5. Ground rods (two required per NEC)
6. Service entrance conductors (per NEC)

○ Items owned and installed by the utility

7. Transformer, handhole, or stubout
8. Meter



- △ Items owned and installed by the customer**
1. 4" x 4" x 16" minimum, continuous, single structure
 2. Meter socket and distribution panel
 3. Ground wire (per NEC)
 4. Ground rods (per NEC, 2 required)
 5. 2" x 4" brace (2 required)
 6. Service entrance conductors (18" out of weatherhead)
 7. Insulated clevis
- Items owned and installed by the utility**
8. Service line
 9. Meter

Temporary overhead service installation.